

Oriel Motorized Filter Wheels



Motorized Filter Wheel

These filter wheel systems hold up to six 1.0 inch (25.4 mm) diameter filters or apertures. The clear aperture is 0.87 inch (22 mm). They have the Oriel 1.5 inch series flange for direct coupling to Oriel Light Sources and Monochromators.

Use a filter wheel as a low cost monochromator, with narrow or broad bandpass filters; as a variable attenuator with neutral density filters; or to hold order sorting filters for your Oriel Monochromator.

Quick and Easy Filter Insertion

The filter wheel has a unique design. Each of the six positions holds a filter holder that snaps in and out of place, and is accessed from the top of the wheel. This means that you can mount all your 1 inch filters in the holders, and have them ready for quick insertion into the wheel. We include six filter holders with each wheel; others are available separately, under model 74011.

Optional Rod Mount

The 74012 Rod Mount holds a single 74011 Filter Holder, for use anywhere in your lab. A 1 inch (25.4 mm) long optical rod is included with the 74012 (the 74012 includes a 74011 Filter Holder).

Two Models of Controllers

We offer two filter wheel systems:

- 74040 Low Cost TTL Filter Wheel System
- 74041 RS-232 and IEEE-488 (GPIB) Filter Wheel System

Low Cost TTL Filter Wheel System

The 74040 uses a simple TTL controller to drive and command the filter wheel. A TTL signal moves the filter wheel to the next position. The TTL signal is accessed via a BNC connector on the control box. The controller has a manual "forward" button that moves the filter wheel to the next position. A display shows the current filter position.

- Remote filter selection via computer or TTL controller
- Hold 6 filters simultaneously
- Easy and quick filter insertion and removal

RS-232 and IEEE-488 Filter Wheel System

Choose the 74041 if you are integrating the filter wheel into an optical system using other instruments or if you simply want PC control of your filter wheel. The 74041's controller has RS-232 and IEEE-488 (GPIB) computer interfaces and a manual "forward" button that moves the filter wheel to the next position.

Specifications

Filter Size Circular or Square	1 in. (25.4 mm)
Minimum Thickness	2.5 mm
Maximum Thickness	10.2 mm
Filter Changeover Time	<2 s for adjacent positions

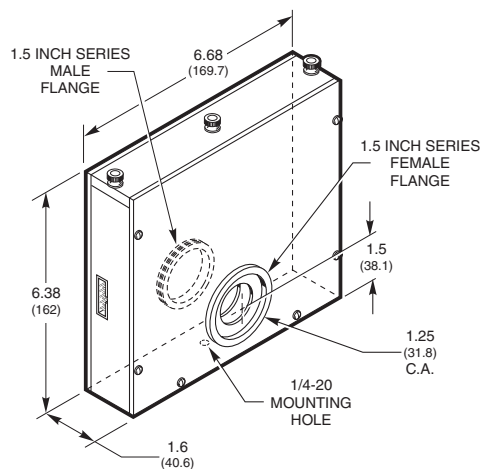


Fig. 1 Dimensional diagram of Motorized Filter Wheel.

Ordering Information

Model	Description
74040	Low Cost TTL Filter Wheel System
74041	RS-232 and IEEE-488 Filter Wheel System
74012	Rod Mount for 74011 Filter Holder (one 74011 is included)
74011	Filter Holder (6 included with 74010)
77366	Filter Spacer Holds filters less than 2.5 mm thick in the Filter Wheel (and 74011 Filter Holder)